



***Brighter than incandescent
or halogen bulbs while
using 80% less energy***

**The Blue Giant LED Loading
Dock Light is a sustainable solution
to the lighting demands of a busy
material handling facility.**

Sustainable Lighting

The LED Loading Dock Light uses only 27 watts of energy, but illuminates the loading dock area with the same clarity as a traditional PAR lamp, which uses 150. The savings of 123 watts per dock light allows facility managers to keep energy costs low without compromising on safety or performance.

Rugged and Lasting Performance

The LED Loading Dock Light represents most durable design in its class. When switched on, it instantly achieves maximum light intensity and the polycarbonate head absorbs heavy impacts from trucks or forklifts without breaking down. Productivity is uninterrupted and the work area remains safely lit.

Complete and Dependable Lighting Package

Comes with nine high-output 3 watt LED bulbs and cage guard, safely illuminating trailer interiors with cool and focused white light. The 40" (1016mm) arm has a double-strut design that provides maximum strength and reliability even in high-activity loading dock environments.

Versatile Application Support

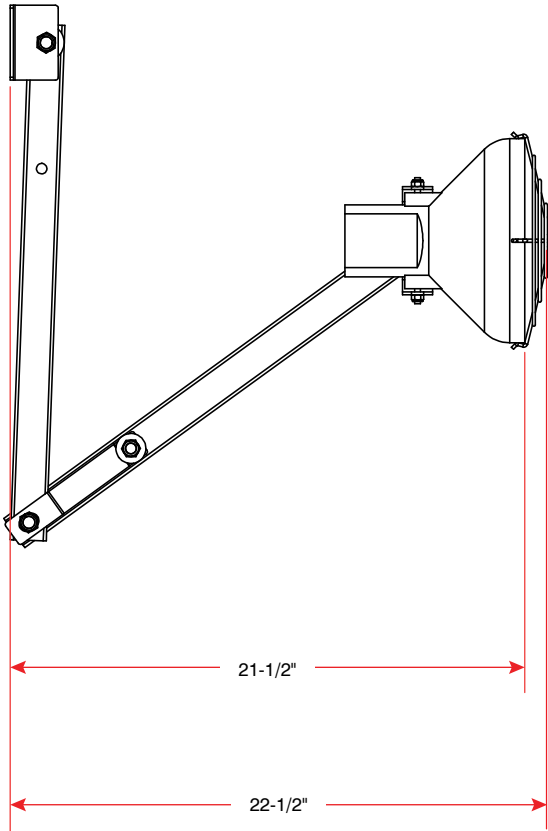
The polycarbonate head remains cool to the touch even after extended usage, ensuring compatibility with refrigerated and food service applications. The double-strut arm enables easy illumination of all truck and trailer types. UL, cUL, and CE listed for safe operation.

LED Loading Dock Light

LED Loading Dock Light

BLUE GIANT[®]
AFTERMARKET SOLUTIONS

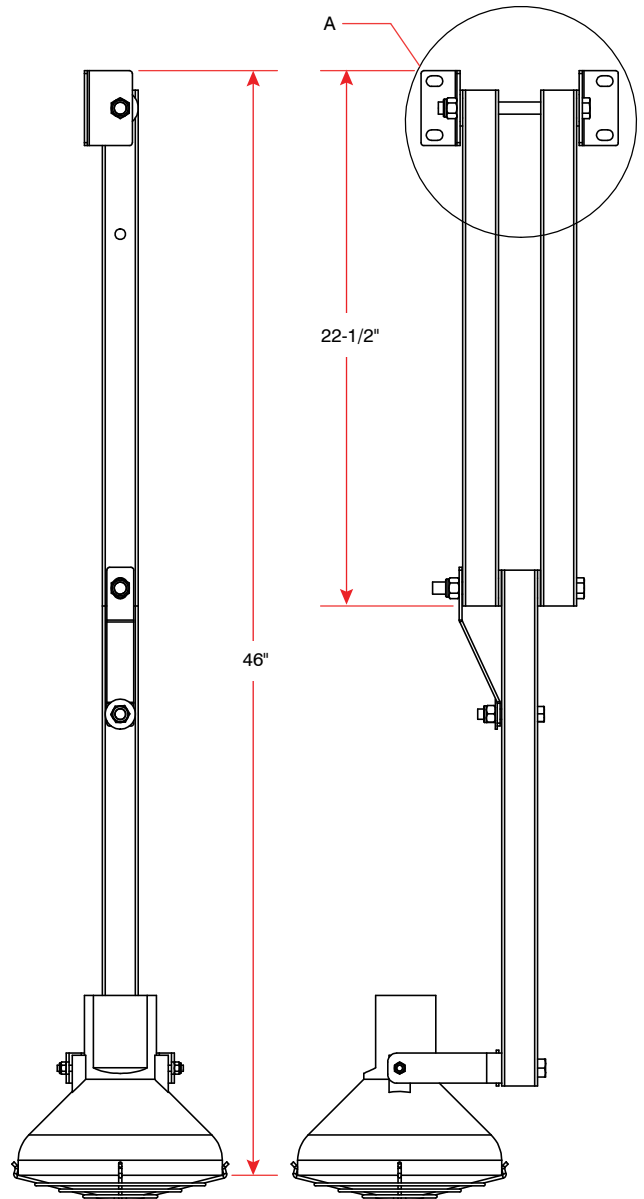
View 1



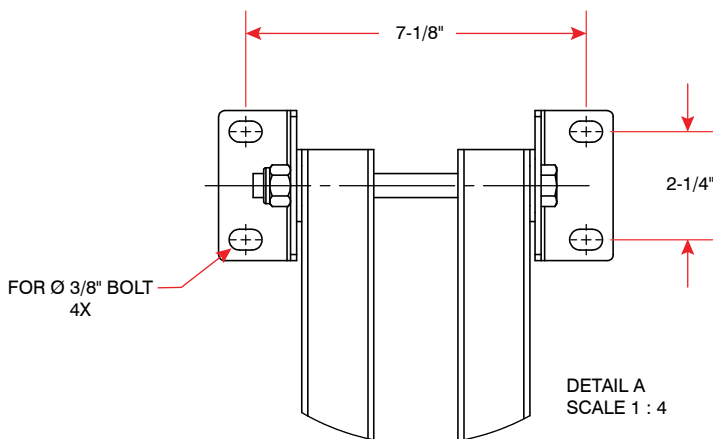
Polycarbonate Lamp Heads

- Indestructible polycarbonate won't dent, bend or break under normal daily use
- Lightweight and shock resistant for longer service life
- Mounts quickly for easy replacement and retrofitting
- Corrosion resistant and non-conductive
- Wire lamp guard included
- Uses R40 bulb – part # 026-725-1

View 3



View 2



BLUE GIANT[®]
BLUE GIANT EQUIPMENT CORPORATION

Corporate 85 Heart Lake Road South
Brampton, ON, Canada L6W 3K2
t 905.457.3900 f 905.450.6555

USA 6350 Burnt Poplar Road
Greensboro, NC 27409
www.BlueGiant.com

AM-LEDDL-083014

Blue Giant offers a full line of dock levelers, dock safety equipment, seals and shelters, accessories, ergonomic and scissor lift equipment and industrial trucks. Concurrent with our continuing product improvement program, specifications are subject to change without notice. Please contact Blue Giant for latest information. Some features illustrated may be optional in certain market areas.