

LED Module
Available



**Improve lighting
and ventilation at the
loading dock**

**The Blue Giant Dock Light Fan
provides a safe and comfortable
working environment for
dock personnel.**

Powerful Ventilation and Cooling Solution

The heavy-duty, three-speed 18" (457mm) fan can move over 3000 cubic feet of air per minute, keeping employees cool on hot summer days and decreasing heating costs by spreading warm air during the winter.

Rugged Flexibility

The Dock Light Fan can be easily mounted in a convenient location. The durable design and construction ensure product longevity and reduce maintenance costs. Available arm lengths are 24" (610mm), 40" (1016mm), and 60" (1524mm).

Versatile Application Range

Built to improve airflow and illuminate a variety of applications, the Dock Light Fan is a premium solution for loading docks, production facilities, auto shops, machine rooms, and even railcar loading platforms.

Build Your Lighting Solution

Enhance fan performance with a lamp head assembly, and shine light anywhere it's needed. Lamp head choices include metal, high-pressure sodium, and polycarbonate with incandescent or LED PAR38 bulbs.

Dock Light Fan

Dock Light Fan

Features

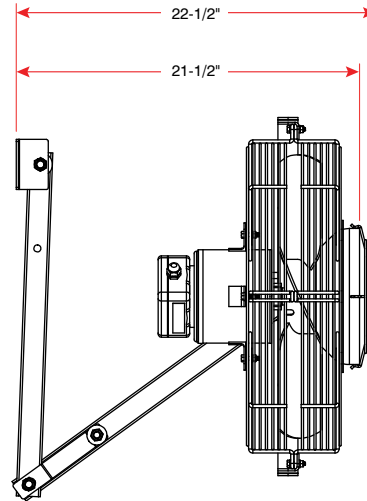
- High output fan provides safer and more comfortable environment for warehouse workers
- Arm design allows fan to be mounted out of the way
- Provides adjustable airflow
- Durable design and construction for reduced maintenance costs
- Easy to install
- UL listed

Fan Specifications

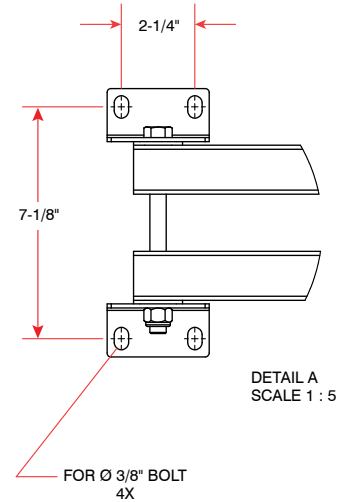
Blade Diameter: 18"
Weight: 24 lbs.
Voltage: 115V

Speed	Air Flow	Noise	Current
High	3190 c.f.m	67 dbA	1.65 Amps
Medium	2970 c.f.m	58 dbA	1.27 Amps
Low	2660 c.f.m.	49 dbA	0.95 Amps

View 1



View 2



Model Number Information

Fan / Light Combos with Mounting Arms

Model	Length		Weight	
	in	mm	lbs	kgs
FANDL24-P	24"	610mm	31 lbs	14 kgs
FANDL24-PLED				
FANDL40-P	40"	1,016mm	34 lbs	15 kgs
FANDL40-PLED				
FANDL60-P	60"	1,524mm	38 lbs	17 kgs
FANDL60-PLED				

Fans with Mounting Arms

Model	Length		Weight	
	in	mm	lbs	kgs
FANDL24	24"	610mm	31 lbs	14 kgs
DLFAN40	40"	1,016mm	33 lbs	15 kgs
DLFAN60	60"	1,524mm	37 lbs	17 kgs

View 3

