

# THERE ARE TWO **clear** CHOICES

## **Transparoll Security Shutters**

### **Premium. Elegant. Protection.**

Transparoll shutters are the premier security and partition shutters in the StoreSafe family. Transparoll is essentially a "glass" wall that allows for maximum visibility, protection, and elegance. The clear polycarbonate is 250 times stronger than glass of the same thickness. Transparoll shutters roll up when not in use. Transparoll shutters offer security without altering the aesthetic of the shopping environment. Perfect as a security partition or wall, Transparoll can be used for inside or outside applications. StoreSafe Transparoll shutters truly are the ultimate in vision security.



- The ultimate in security
- Highest visibility
- Reduce energy costs
- Prevent break-ins
- Protect against extreme weather
- Smallest roll up coil available
- Scratch resistant

## **LX-6 Security Shutters**

### **Elegant Design. Strong. Protection.**

Also fabricated with clear polycarbonate pieces, the LX6 rolling shutter is a lighter weight and medium-duty shutter with excellent visibility. The LX6 is similar to the Transparoll, but with three foot wide sections of polycarbonate joined with a vertical spacer to make up the full shutter width. The lighter weight of the LX6 allows for the push-up/pull-down manual operation on shutters up to 100 sq ft.



Shown above, the side rails and box housings match the existing storefront (QMI bronze 06).

## Transparoll Security Shutters



Transparoll security shutters prevent theft while providing maximum visibility. Transparoll shutters are covered in a scratch resistant coating, which allows for graffiti to be removed easily. In addition, Transparoll is UV-resistant, preventing discoloration and ensuring the shutter maintains its clarity. The Transparoll shutter is made of 6mm thick polycarbonate, which has a smooth surface, leaving potential intruders with no grip. Transparoll is available in widths up to 18ft. in one piece. Transparoll shutters are installed using solid guides that cannot be broken.



Emergency Release Devices (ERD) and battery backup operation is available.

## LX-6 Security Shutters

- Anodized "silver" aluminum horizontal ribs
- QMI standard 7 colors available for box housing, side rails, and bottom slat
- Most sizes available with tubular motor operation-keeping box housing size smaller
- Extremely high visibility



For both interior and exterior use, the LX6 rolling shutter provides a physical security barrier without compromising the pleasant environment. Useful at restaurant patios for patron comfort, or to keep burglars from even attempting a break-in, the QMI LX6 clear shutter system provides convenient protection.



LX6 uses standard housing motors up to 140 sq. ft. Large shutter shown above uses an external motor mounted above the finished ceiling.

# PROTECTION **with** VISION



## Vision Shutter Comparison Chart

QMI StoreSafe Vision Model	Cost factor	Max size spring assist push up/pull down	Max size tube motor w/ std housing	External jack shaft motor required (no housing available)	3x3 or 4x4 steel post required
<b>Transparoll</b>	*****	n/a	n/a	all up to 200 sq ft	yes
<b>LX6</b>	**	100 sq ft	140 sq ft	141 to 280 sq ft	w/ ext motor
<b>AL7-Perforated slat</b>	*	160 sq ft	170 sq ft	171 to 300 sq ft	w/ ext motor

QMI StoreSafe Vision Model	Side rail size	Max width	Max height	Security level	Polycarbonate slat thickness	Hurricane rated	Vision
<b>Transparoll</b>	3.25"w x 2.25"d + angle	18'	14'	high	.25"	no	excellent
<b>LX6</b>	3.5"w x 1.06"d	24'	15'	medium	.093"	no	very good
<b>AL7-Perforated slat</b>	3.375"w x 1.06"d	30'	15'	high	punch aluminum	solid only	good

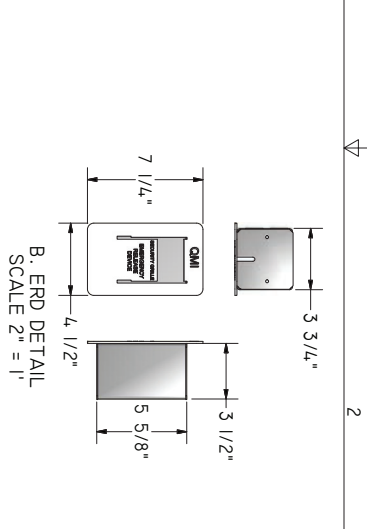
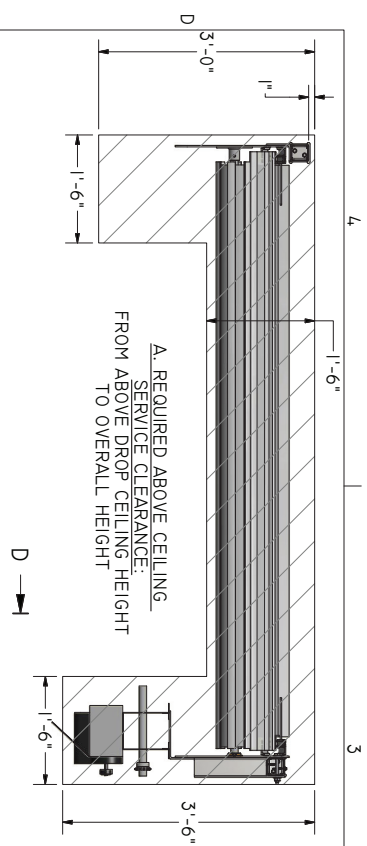
*note: sq ft sizes shown for estimating only. Actual widths and heights will determine actual mounting/control requirements*

### Transparoll Security Shutters



### LX-6 Security Shutters





**MANUFACTURE APPROVAL**

BY: \_\_\_\_\_

DATE: \_\_\_\_\_

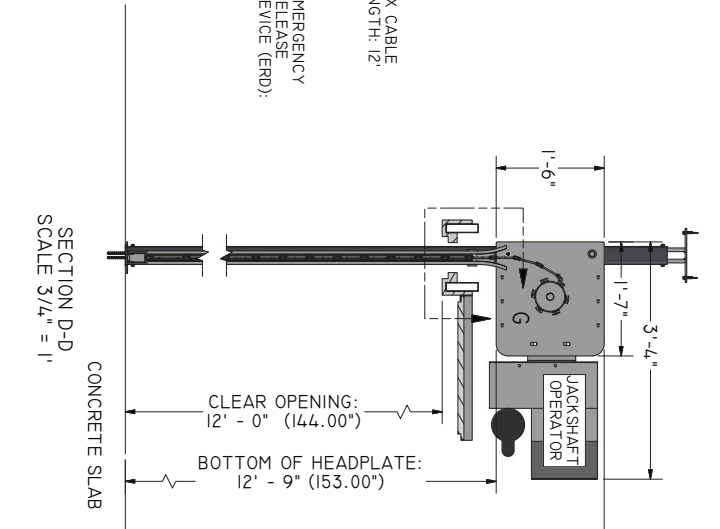
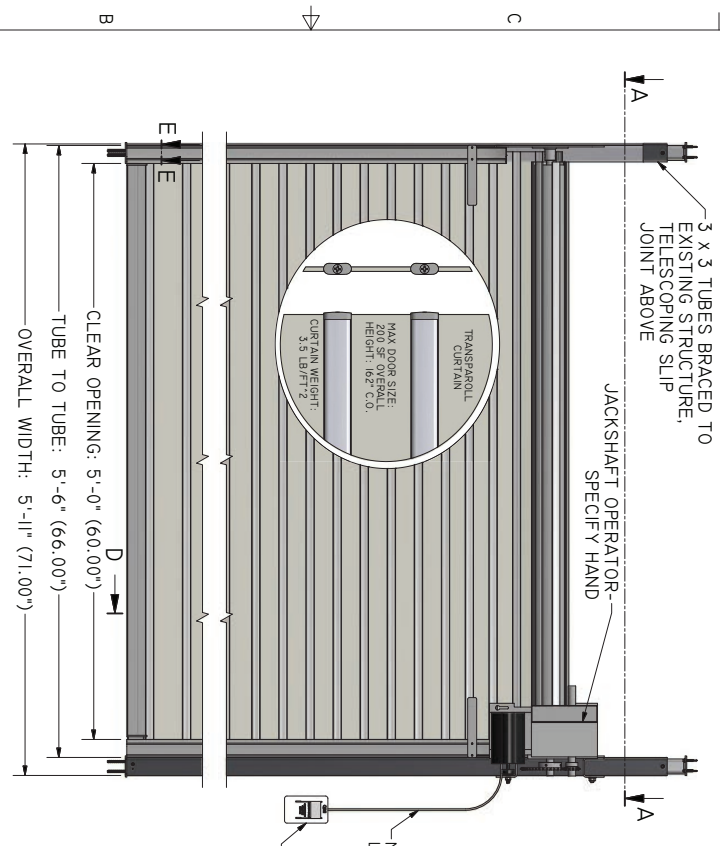
APPROVED FOR MANUFACTURE PER MEASUREMENTS SHOWN.

APPROVED FOR MANUFACTURE PENDING MEASUREMENT OF FINAL OPENINGS.

APPROVED FOR MANUFACTURE AS NOTED.

MAKE CHANGES AS NOTED AND RESUBMIT.

REV.	DESCRIPTION	DATE



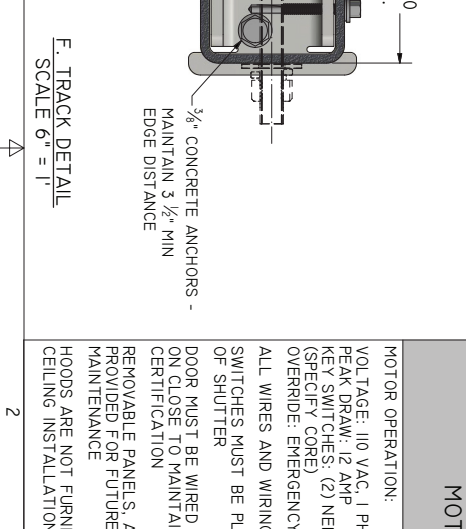
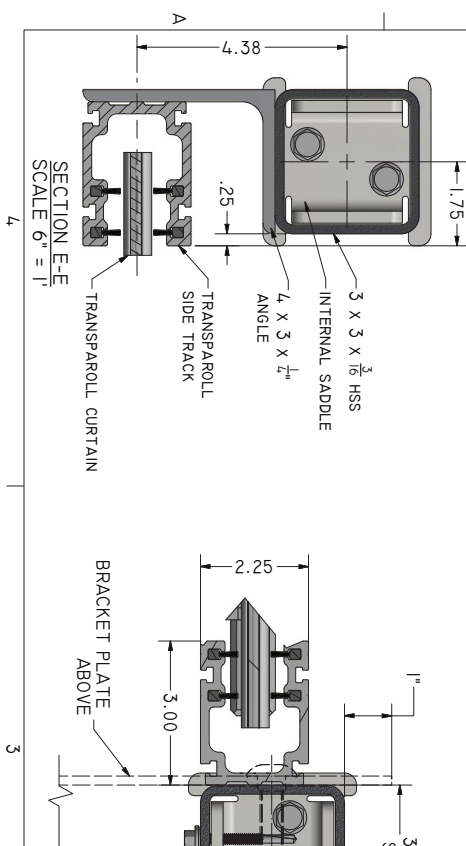
**MOTORIZED TRANSPAROLL ROLL UP GRILLE**

**MOTOR OPERATION:**  
 VOLTAGE: 110 VAC, 1 PHASE  
 PEAK DRAW: 12 AMP  
 KEY SWITCHES: (2) NEMA 1, LUSH MOUNT (SPLIT CORE)  
 OVERRIDE: EMERGENCY EGRESS  
 ALL WIRES AND WIRING BY OTHERS  
 SWITCHES MUST BE PLACED IN FULL VIEW OF SHUTTER  
 DOOR MUST BE WIRED CONSTANT CONTACT ON CLOSE TO MAINTAIN UL 325 CERTIFICATION  
 REMOVABLE PANELS, AS NOTED, MUST BE PROVIDED FOR FUTURE SHUTTER MAINTENANCE  
 HOODS ARE NOT FURNISHED ON ABOVE CEILING INSTALLATIONS

**FINISHES:**  
 CURTAIN: CLEAR ANODIZED  
 BOTTOM BAR: CLEAR ANODIZED  
 GUIDES: CLEAR ANODIZED  
 STEEL TUBES: MILL

**OVERALL WEIGHT:** 720 LBS

<p><b>QMI Security Solutions</b></p> <p>1661 GLENLAKE AVE        ITASCA, ILLINOIS        800 446 2500</p>	<p><b>DIMENSIONAL TOLERANCES UNLESS OTHERWISE SPECIFIED</b>        XX = ±0.10 XXX = ±0.005 XXXX = ±0.0005        ANGLES = ±30°</p> <p><b>CONFIDENTIAL PROPRIETARY DATA:</b>        ALL INFORMATION CONTAINED IN THIS DOCUMENT IS DEEMED PROPRIETARY. THIS INFORMATION SHALL NOT BE SHARED OR DISCLOSED TO ANY OTHER SOURCE WITHOUT THE WRITTEN CONCENT OF QMI SECURITY SOLUTIONS, INC.</p>	<p>DRAWN</p> <p>CREATION DATE 9/25/2013</p> <p>CHECKED BY</p> <p>CHECKED DATE</p>	<p>SCALE NYC</p> <p>DWG NO</p> <p>SCALE C</p> <p>SHEET 1 OF 5</p>
---	--	---	---

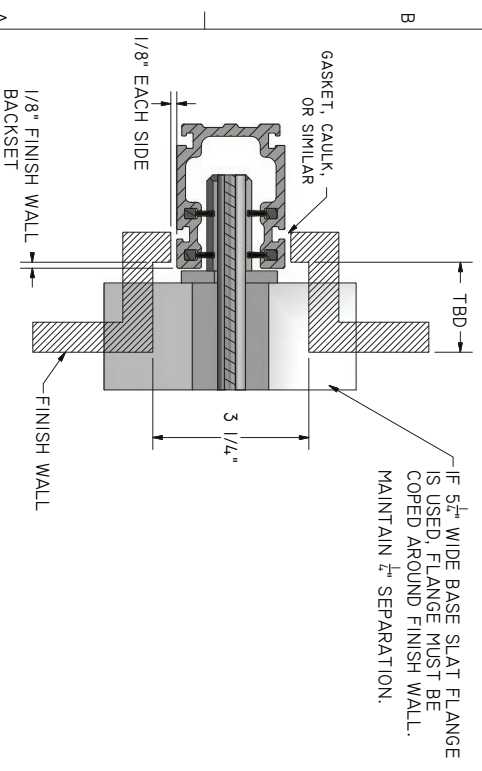
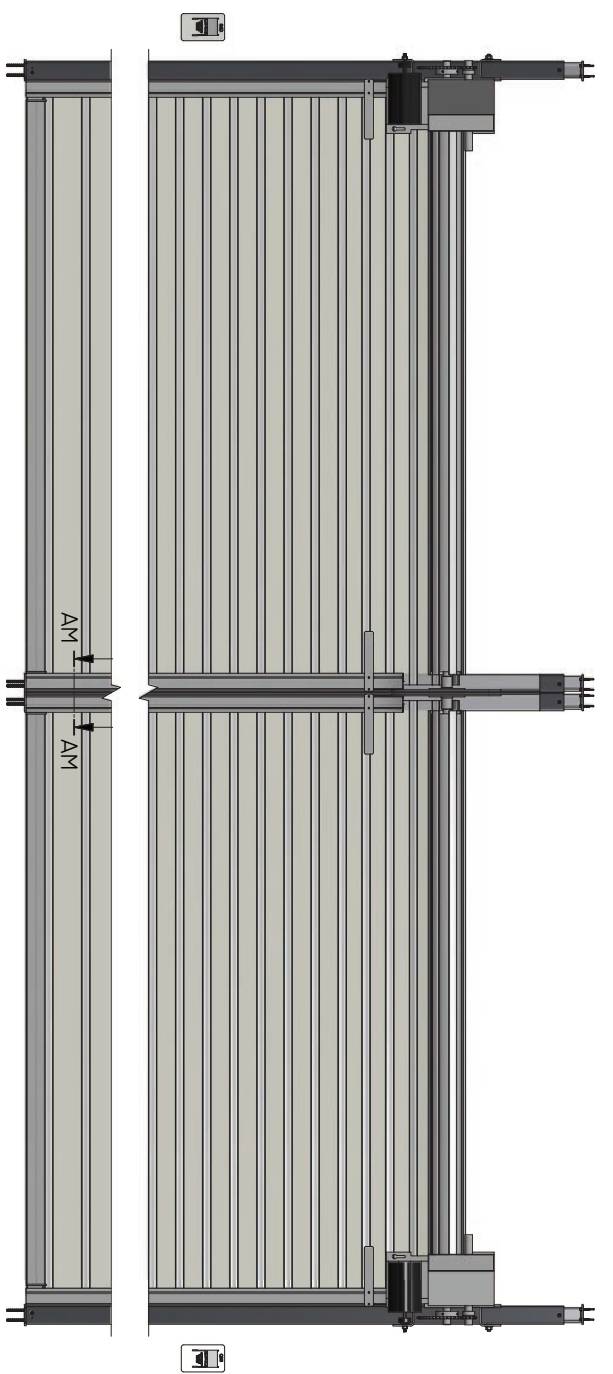


**MOTOR OPERATOR SPECIFY HAND**

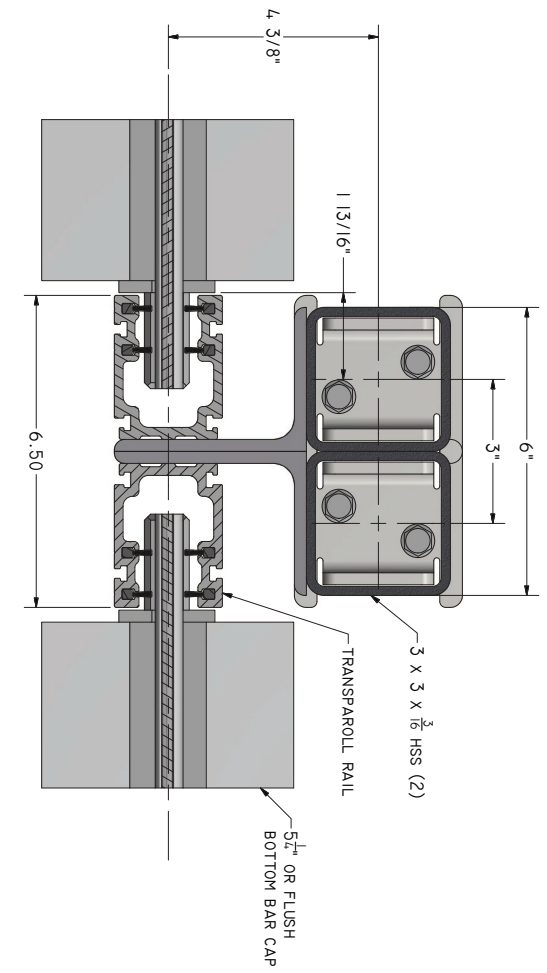
**SECTION D-D**  
SCALE 3/4" = 1'

**SECTION E-E**  
SCALE 6" = 1'

<p><b>QMI Security Solutions</b></p> <p>1661 GLENLAKE AVE        ITASCA, ILLINOIS        800 446 2500</p>	<p><b>DIMENSIONAL TOLERANCES UNLESS OTHERWISE SPECIFIED</b>        XX = ±0.10 XXX = ±0.005 XXXX = ±0.0005        ANGLES = ±30°</p> <p><b>CONFIDENTIAL PROPRIETARY DATA:</b>        ALL INFORMATION CONTAINED IN THIS DOCUMENT IS DEEMED PROPRIETARY. THIS INFORMATION SHALL NOT BE SHARED OR DISCLOSED TO ANY OTHER SOURCE WITHOUT THE WRITTEN CONCENT OF QMI SECURITY SOLUTIONS, INC.</p>	<p>DRAWN</p> <p>CREATION DATE 9/25/2013</p> <p>CHECKED BY</p> <p>CHECKED DATE</p>	<p>SCALE NYC</p> <p>DWG NO</p> <p>SCALE C</p> <p>SHEET 1 OF 5</p>
---	--	---	---



IF 5/4" WIDE BASE SLAT FLANGE IS USED, FLANGE MUST BE COPED AROUND FINISH WALL. MAINTAIN 2" SEPARATION.



SECTION AM-AM  
SCALE 6" = 1'

FINISH WALL DETAIL  
SCALE 6" = 1'

A	B	C	D
4	3	2	4
4	3	2	4
4	3	2	4
4	3	2	4
4	3	2	4
A	B	C	D



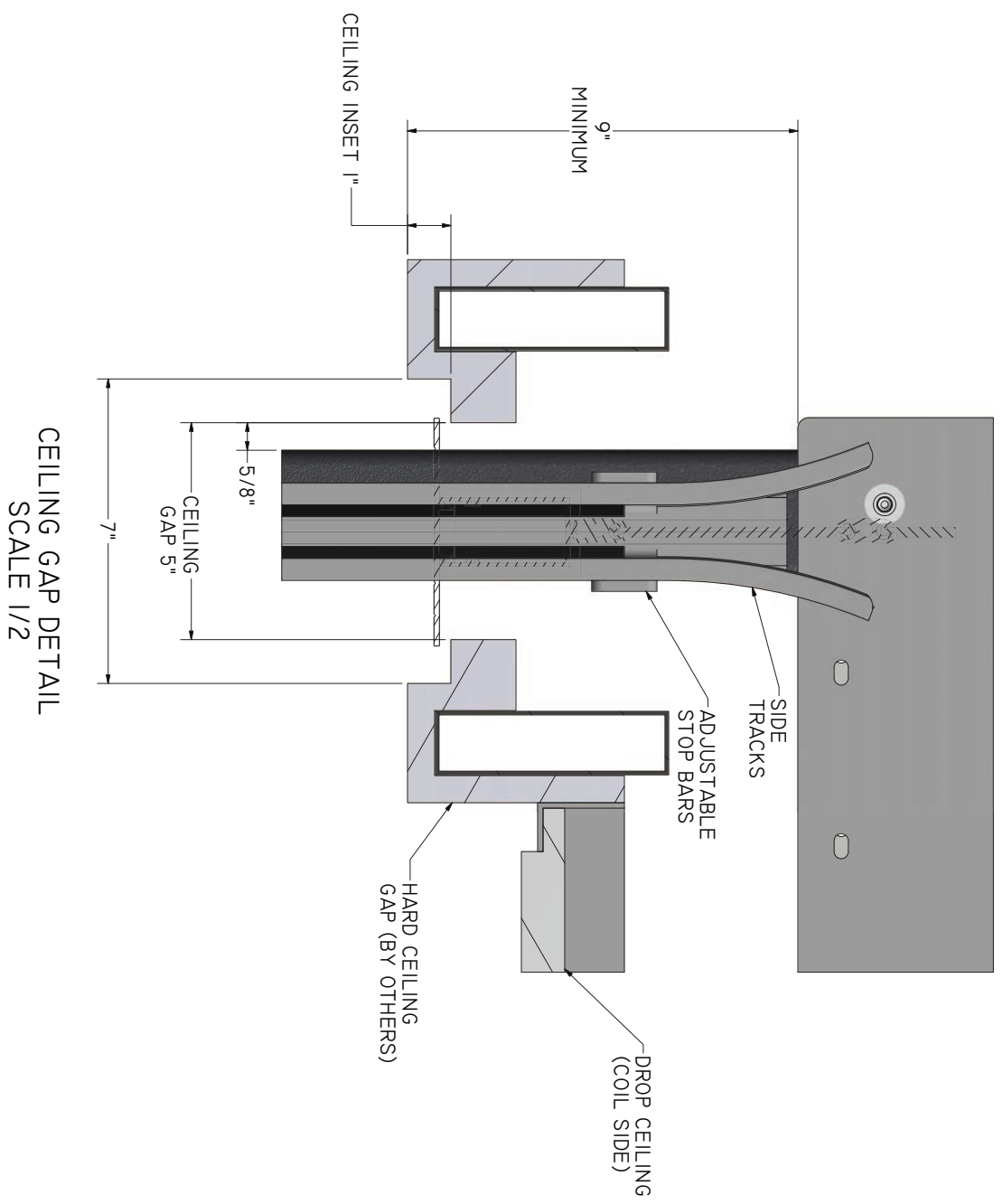
1661 GLENLAKE AVE  
ITASCA, ILLINOIS  
800 446 2500

**DIMENSIONAL TOLERANCES UNLESS OTHERWISE SPECIFIED**  
 XX = ±.010    XXX = ±.005    XXXX = ±.0005  
 ANGLES = ±30°

**CONFIDENTIAL PROPRIETARY DATA:**  
 ALL INFORMATION CONTAINED IN THIS DOCUMENT IS DEEMED PROPRIETARY. THIS INFORMATION SHALL NOT BE SHARED OR DISCLOSED TO ANY OTHER SOURCE WITHOUT THE WRITTEN CONSENT OF QMI SECURITY SOLUTIONS, INC.

DRAWN	REV.	DESCRIPTION	DATE
CREATION DATE 9/25/2013			
CHECKED BY			
CHECKED DATE			

DWG NO NYC  
 SCALE NYC  
 SIZE C  
 SHEET 2 OF 5



CEILING GAP DETAIL  
SCALE 1/2

CEILING GAP DETAIL



1661 GLENLAKE AVE  
ITASCA, ILLINOIS  
800 446 2500

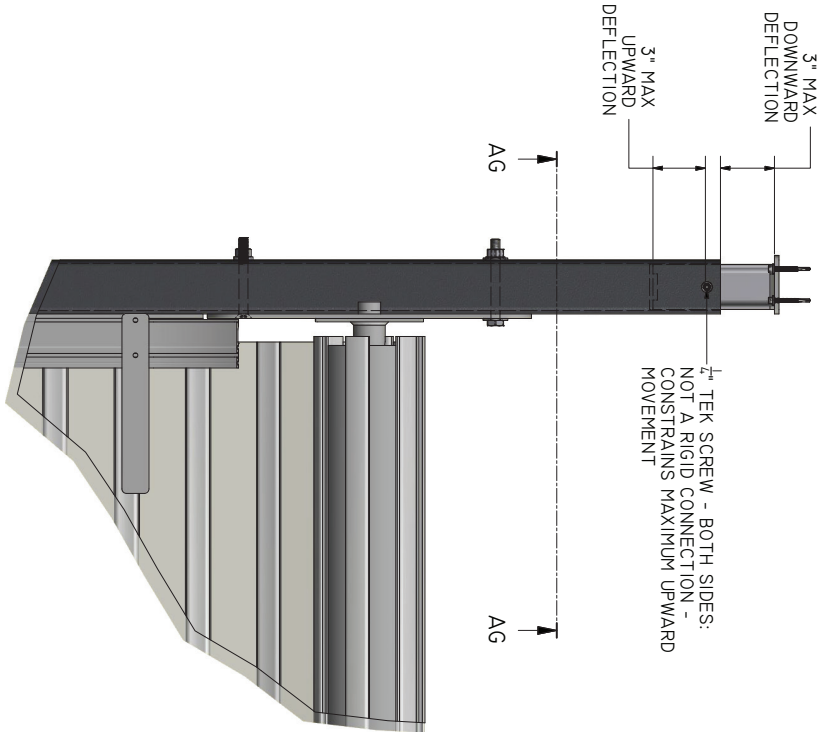
**DIMENSIONAL TOLERANCES  
UNLESS OTHERWISE SPECIFIED**  
 XX = ±.010    XXX = ±.005    XXXX = ±.0005  
 ANGLES = ±30°

**CONFIDENTIAL PROPRIETARY DATA:**  
 ALL INFORMATION CONTAINED IN THIS DOCUMENT IS DEEMED PROPRIETARY. THIS INFORMATION SHALL NOT BE SHARED OR DISCLOSED TO ANY OTHER SOURCE WITHOUT THE WRITTEN CONCENT OF QMI SECURITY SOLUTIONS, INC.

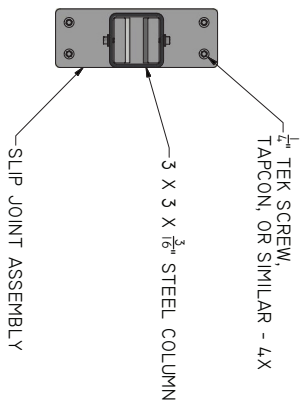
DRAWN	REV.	DESCRIPTION	DATE
CREATION DATE 9/25/2013			
CHECKED BY			
CHECKED DATE			

DWG NO NYC
SCALE
SIZE C
SHEET 3 OF 5

SLIP JOINT - MOUNTING PAD ELEVATION  
SCALE 3/16



SECTION AG-AG  
SCALE 3/16



SLIP JOINT -  
MOUNTING PAD  
DETAIL



1661 GLENLAKE AVE  
ITASCA, ILLINOIS  
800 446 2500

**DIMENSIONAL TOLERANCES  
UNLESS OTHERWISE SPECIFIED**  
XX = ±.010    XXX = ±.005    XXXX = ±.0005  
ANGLES = ±30°

**CONFIDENTIAL PROPRIETARY DATA:**  
ALL INFORMATION CONTAINED IN THIS  
DOCUMENT IS DEEMED PROPRIETARY. THIS  
INFORMATION SHALL NOT BE SHARED OR  
DISCLOSED TO ANY OTHER SOURCE WITHOUT  
THE WRITTEN CONSENT OF QMI SECURITY  
SOLUTIONS, INC.

DRAWN	REV.	DESCRIPTION	DATE
CREATION DATE 9/25/2013			
CHECKED BY			
CHECKED DATE			

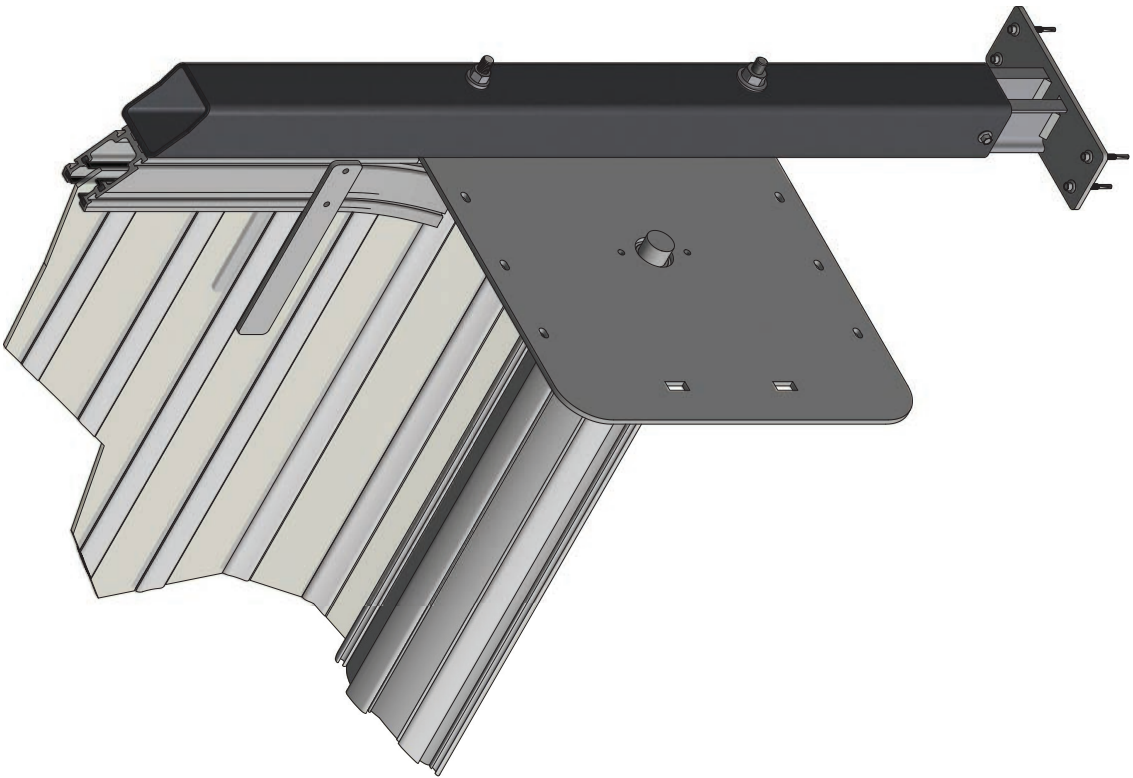
DWG NO NYC

SCALE

SIZE C

SHEET 4 OF 5





SLIP JOINT MOUNTING PAD ATTACHMENT  
SCALE 1/4"

SLIP JOINT -  
MOUNTING PAD - ISO



1661 GLENLAKE AVE  
ITASCA, ILLINOIS  
800 446 2500

**DIMENSIONAL TOLERANCES  
UNLESS OTHERWISE SPECIFIED**  
XX = ±.010    XXX = ±.005    XXXX = ±.0005  
ANGLES = ±30°

**CONFIDENTIAL PROPRIETARY DATA:**  
ALL INFORMATION CONTAINED IN THIS  
DOCUMENT IS DEEMED PROPRIETARY. THIS  
INFORMATION SHALL NOT BE SHARED OR  
DISCLOSED TO ANY OTHER SOURCE WITHOUT  
THE WRITTEN CONSENT OF QMI SECURITY  
SOLUTIONS, INC.

DRAWN	REV.	DESCRIPTION	DATE
CREATION DATE 9/25/2013			
CHECKED BY			
CHECKED DATE			

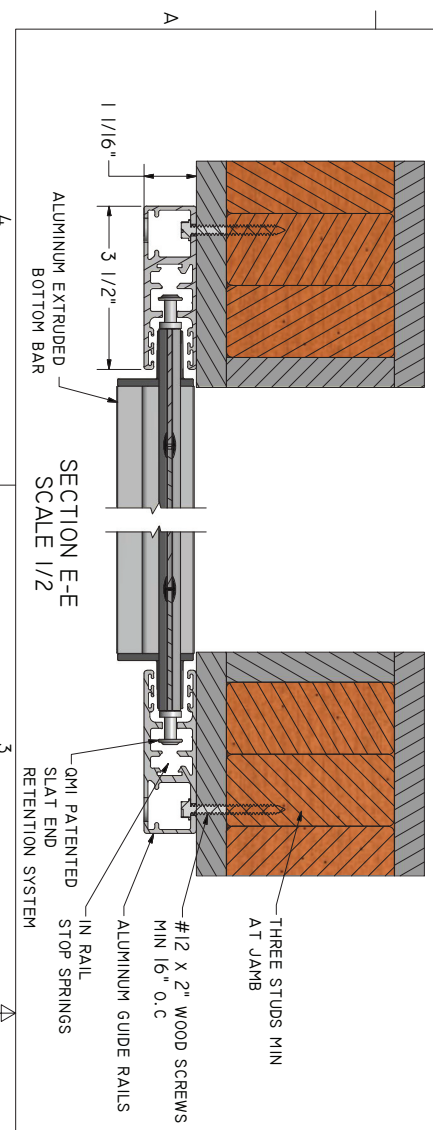
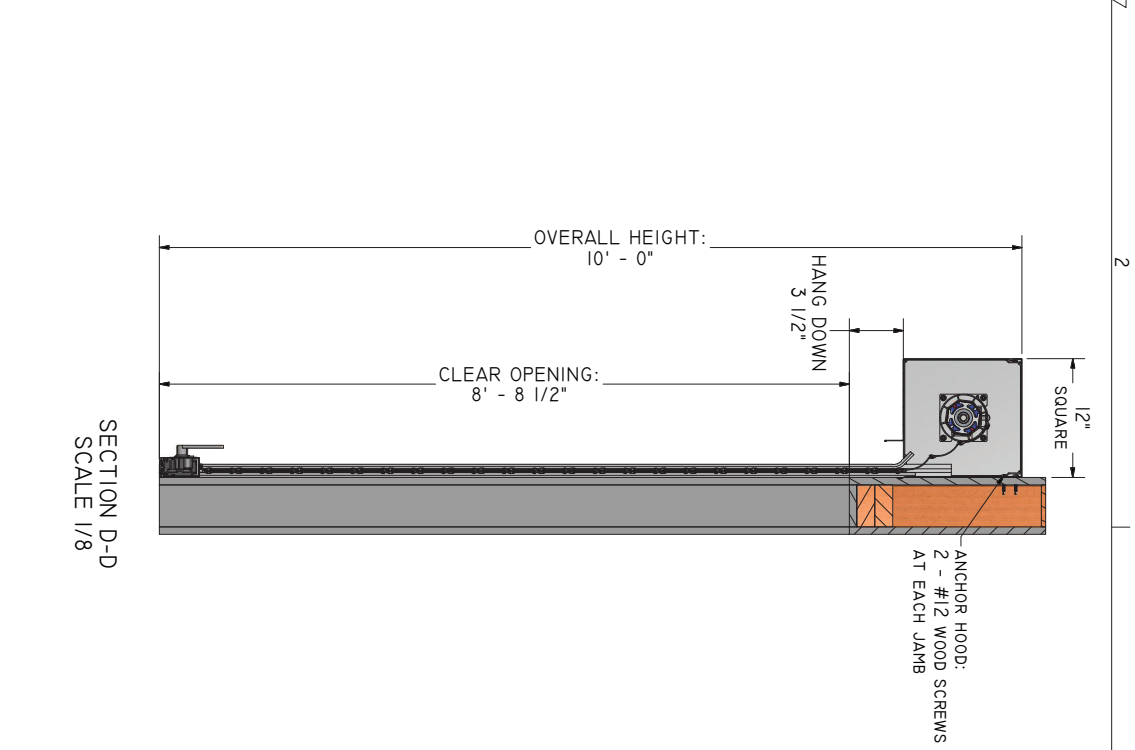
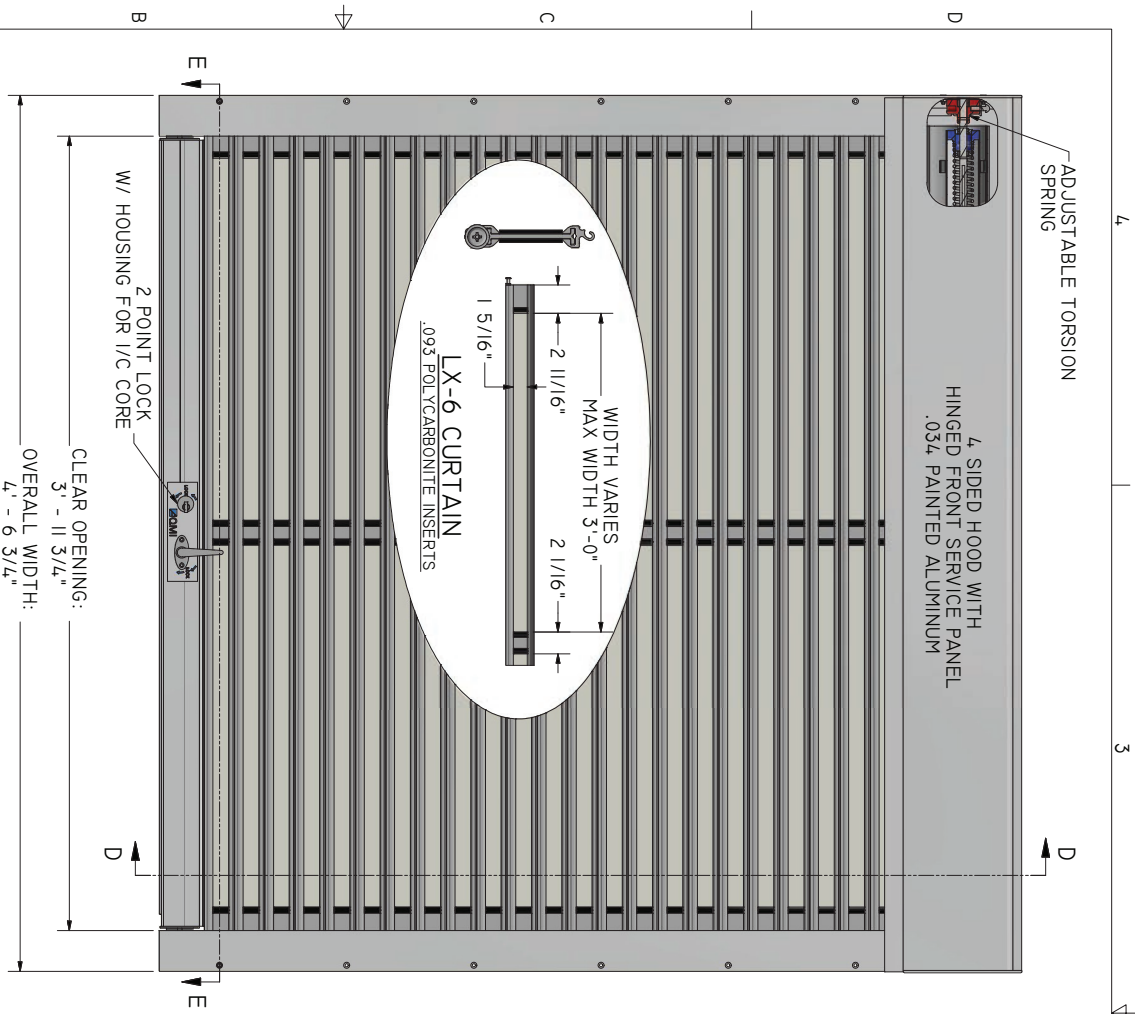
DWG NO  
NYC

SCALE

SIZE  
C

SHEET  
5 OF 5





<b>MANUAL LX-6 COUNTER SHUTTER</b>	
MANUAL (push up - pull down) OPERATION	FINISHES:
COUNTERBALANCE TORSION SPRING - RATED FOR STANDARD DUTY (15k CYCLES)	CURTAIN: CLEAR ANODIZED
2 PT. LOCKING BOTTOM BAR WITH I/C HOUSING (SPECIFY CORE)	BOTTOM BAR: CLEAR ANODIZED
IT SHALL BE THE RESPONSIBILITY OF THE CONTRACTOR TO VERIFY THE SOUNDNESS OF THE STRUCTURE WHERE SHUTTER IS TO BE ATTACHED TO INSURE PROPER ANCHORAGE.	GUIDES: CLEAR ANODIZED
	HOOD: CLEAR ANODIZED
	STEEL TUBES: N/A

<b>MANUAL LX-6 LEXAN SHUTTER</b>	
DWG NO: MANUAL LX-6	SCALE: AS SHOWN
SIZE: C	SHEET: 1 OF 1

<p>1661 GLENLAKE AVE ITASCA, ILLINOIS 800 446 2500</p>	DIMENSIONAL TOLERANCES UNLESS OTHERWISE SPECIFIED		DRAWN	REV.	DESCRIPTION	DATE
	± 8"		CREATION DATE			
	CONFIDENTIAL PROPRIETARY DATA: ALL INFORMATION CONTAINED IN THIS DOCUMENT IS DEEMED PROPRIETARY. THIS INFORMATION SHALL NOT BE SHARED OR DISCLOSED TO ANY OTHER SOURCE WITHOUT THE WRITTEN CONSENT OF QMI SECURITY SOLUTIONS, INC.		CHECKED BY			
			CHECKED DATE			

# PROTECTION **with** VISION



## QMI Security Solutions

1661 GLENLAKE AVE • ITASCA, IL. 60143

(800) 446-2500

International: 00 1 630 529 7111

**[www.qmiusa.com](http://www.qmiusa.com)**